

Before use

- The CD Player is designed to be connected to 12 V DC and negative grounding.
- Avoid mounting the CD Player where it is likely to be exposed to direct sunlight, hot air or water. Also, avoid mounting it where there is excessive vibration. Take care not to allow any metal objects or water to enter the interior of the CD Player.
- When you use the CD Player for the first time, or if you have replaced the battery, push the RESET button with the tip of a pencil or similar pointed object.

About Condensation

- When a disc or disc magazine is brought from a low-humidity place to a car where there is high humidity due to rain, etc., water vapor may condense on the disc. Or, when the main unit of the changer is installed under the dashboard, condensation may occur on the surface of the optical lens immediately after turning on the heater. If the CD player is operated in this condition, the laser pickup may not correctly read out the signal, or dropouts may occur occasionally. Thus, correct operation may not be obtained. In such cases, dehumidify the disc, or remove the disc magazine from the changer and leave it for about one hour, at which time correct operation will resume.

If the CD player does not operate correctly after a long time interval, consult your dealer or nearest KENWOOD Service Station.

About humidity

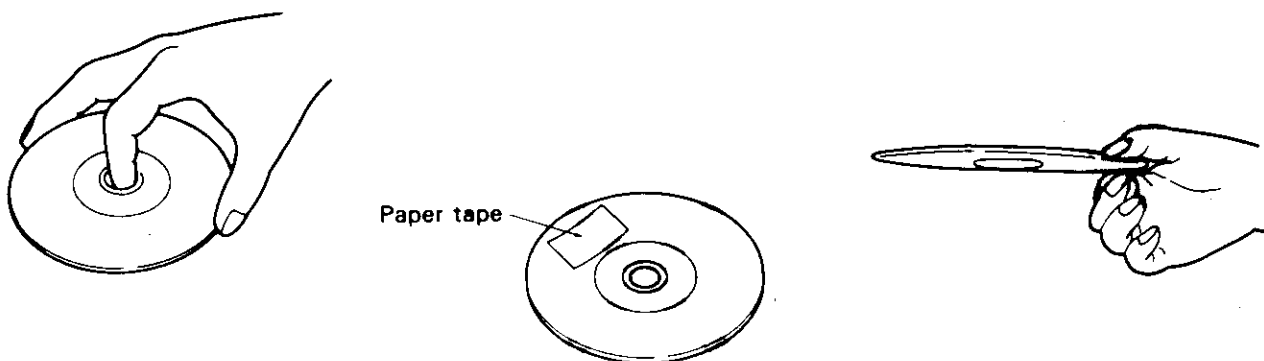
- When a car is left in direct sunlight with the windows closed, the inside of the car will be greatly humidified, especially on the top of the dashboard. When the temperature exceeds 60°C, the built-in protection circuit may be activated, to prevent the optical system from being damaged, and thus the CD player will not function. In this case, re-install the main unit of the CD changer in a place which is less subject to humidity.

Handling of compact disc

Stains, dust or scratches on the disc or warping of the disc will cause malfunction such as skipping. Handle the disc in the following manner so that you may enjoy the beautiful sound of the CD Player for a long time.

< Handling the disc >

Hold the disc without touching the music storage area (glistening rainbow colors). Do not apply a paper tape to the label on the disc nor to the music storing area.

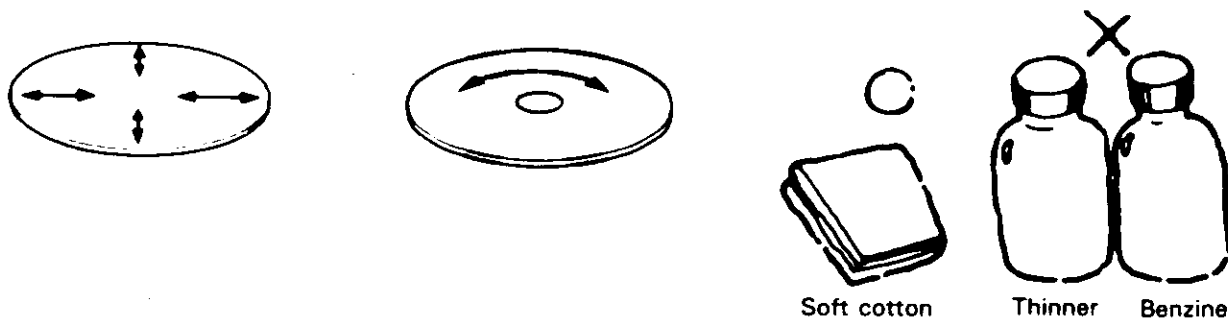


< Storage of compact disc >

- Do not put the disc where it is exposed to direct sunlight, heat or humidity.
- Especially in summer, never leave the disc exposed to direct sunlight or placed on the seat or dashboard with the windows closed because the temperature will rise considerably and the disc will warp.
- When the player is not in use for an extended period of time, remove the disc magazine from the changer, and store it in a place which is not subject to high temperature or high humidity.
Be sure to store the discs in their cases or in the magazine. Do not leave them outside of the case or magazine, or piled up, or leaning on a slant. This may cause scratches, dirt or warping.

< Cleaning of compact disc >

If there are fingerprints or stains on the disc, remove them by lightly wiping it with soft cotton cloth from the center toward the outside edge. Never use thinner or benzine. Also, avoid using conventional record cleaner.



Controls and indicators

[CD]: Music search switches

During CD play, press either side of this switch to start playback at the beginning of a particular selection.

◀◀: To go back to the beginning of a previous selection.

▶▶: To skip ahead to the beginning of a later selection.

[TUNER]: Seek tuning switches

Press ▶▶ switch for up seek operation.

Press ◀◀ switch for down seek operation.

Seek operation automatically stops when a marginal broadcast is received.

[CD]: Search switches

During CD play, press either side of this switch to search for a particular point on the disc.

◀◀: To go backwards at high speed.

▶▶: To skip ahead at high speed.

[TUNER]: Manual tuning switches

Press this switch once to change the receiving frequency by one step. When this switch is kept pressed, the frequency changes continuously.



[TUNER]: SDK switch

When this switch is set to ON, the SDK character color turns from amber to green, and the traffic information station is tuned in. When traffic information station is received, the red indicator lights up.

Volume up (▲)/down (▼) switch

Used for volume adjustment. These switches are also used to adjust the Bass, Treble, Balance and Fader.

[CD]: Switch function or display during Compact Disc player operation.

[TUNER]: Switch function or display during tuner operation. (When the optional KTC-T100 is used.)

Display window

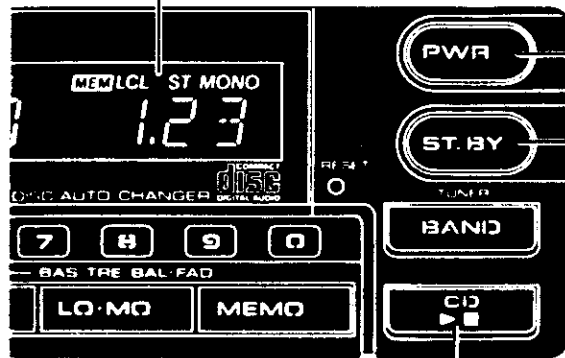
Normally indicates the volume level. When adjusting the Bass, Treble, Balance or Fader control, it shows the corresponding adjustment level.

[CD]: Indicates the Disc No., Track No., playback time and the Program No. "LOAD" will be shown when changing discs.

[TUNER]: Indicates the selected Band, receiving frequency, and Preset No. "ST" will be shown when a stereo broadcast is being received.

Power switch

Turns the power of this unit ON and OFF.



[CD]: CD switch

Press this switch to start disc play. When it is pressed during play, disc play is suspended at the current position. Pressing it again resumes disc play from the same position. This switch is also used to select the disc to be played.

Stand-by switch

When this switch is pressed, the playing disc or the tuner (KTC-T100) will be turned OFF, and the sound from the component connected to the AUX input jacks can be heard (except some components).

Controls and indicators

ENGLISH

[CD] : Shuffle switch

When this switch is pressed, shuffle play (playing the selections in a random order) starts.

[CD]: Preset program switches (1 – 0)

Each of these switches can store one of the selections contained on a disc, specified by the Disc No. and Track No.

[TUNER]: Preset station switches (1 – 0)

One switch can memorize one of each FM and AM.



[CD]: Program switch

When this switch is pressed, the programmed selections (specified by the Disc No. and Track No.) will be played.

Audio switch

When this switch is pressed, the Bass, Treble, Balance or Fader can be adjusted using the ▲ / ▼ switch.

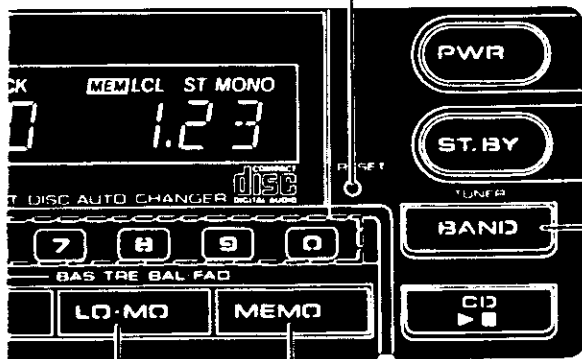
[CD]: Switch function or display during Compact Disc player operation.
[TUNER]: Switch function or display during tuner operation. (When the optional KTC-T100 is used.)

Reset button

When the installation and all the wiring is finished, press this button. Not usually used however, when the microprocessor (micro-computer) malfunctions, press this button using a sharp-pointed object. When this button is pressed, the unit is reset to its initial state. Therefore, all the memories and clock needs to be adjusted.

[TUNER] : Band switch

With the tuner OFF, pressing this switch turns the tuner ON. With the tuner ON, the switch is used to select the reception band.



[TUNER] : Local/Mono switch

This switch selects Local mode only when a strong signal station is received. It selects Monaural mode when FM reception is noisy.

[CD] : Memory switch

Press this switch to memorize the disc or track for a Preset program switch.

[TUNER]: Memory switch

Press this switch to memorize the frequency during radio reception.

Operation

■ Disc play

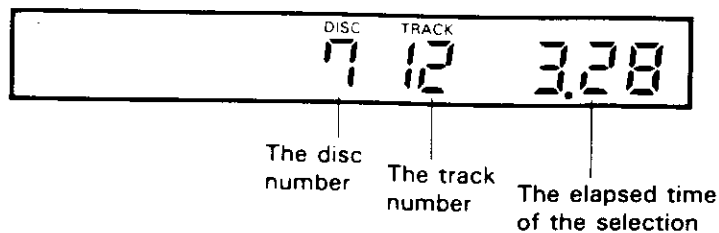
1. Turn the power ON.
2. Set the compact discs in the disc magazine, and load the magazine to the changer.
3. Press the CD switch. disc play starts.
4. Adjust the Volume, Bass, Treble, Balance and Fader controls as required.

Note:

When the volume up (▲) switch is held pressed, the volume is increased to a fixed level, then the incrementing stops. To further increase the volume, release the switch, and then press it again.

5. To place the CD changer in pause mode, press the CD switch. Pressing the CD switch again releases pause mode.
6. To stop disc play, press the Stand-by switch. When the Stand-by switch is pressed, the sound from the component connected to the AUX input jacks is heard (except some components).
7. To recall a required disc in the magazine, press the corresponding Disc No. of the Preset program switches, then within 5 seconds, press the CD switch. While the disc is being changed, "L O A D" is shown in the display window.
8. To recall a required track, press the Track No. of the Preset program switches, then within 5 seconds, press the Music search switch.

Display window



NOTE

At the end of the disc

When disc reaches the end of the last selection of the disc, play of the next disc starts automatically. At the end of the last disc, the unit will go back to the beginning of the first disc, and the play will restart.

When no disc is in the changer

- When the CD switch is pressed without the disc magazine in the changer, [E-01] is displayed. Insert the disc magazine into the changer and press the CD switch.
- When the CD switch is pressed with no disc in the disc magazine, [E-02] is displayed. Insert the disc into the disc magazine and press the CD switch.

When the tuner is connected




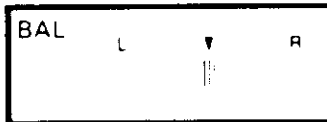

The disc play also stops when the Band switch is pressed. To restart disc play, press the CD switch. Play will start from the point at which play was stopped.

This unit will automatically start playing in the following case

If the car ignition key is turned off during play and turned to the IGN (ignition) or ACC (accessory) position again within 32 seconds, the unit will restart the play from the same point. If the key is turned to the IGN (ignition) or ACC (accessory) position again after 32 seconds, the unit will restart from the beginning of the selection that was being played.

■ Adjusting the volume level and sound quality

1. The Volume up/down (▲ / ▼) switch are normally used to adjust the volume level. However, each time the Audio switch is pressed, the control function is changed in the order Bass, Treble, Balance, Fader, then Volume again.
2. Referring to the table below, adjust with the Volume up/down (▲ / ▼) switch.

Display	Volume ▲ / ▼ switch (Keep pressed or press repeatedly.)	
	The side of ▼ (Left side)	The side of ▲ (Right side)
<p>Adjust the Volume</p> 	Volume decreases.	Volume increases.
<p>Adjust the Bass response</p> 	Bass decreases.	Bass increases.
<p>Adjust the Treble response</p> 	Treble decreases.	Treble increases.
<p>Adjust the Balance of the right and left channels</p> 	The level of the right speakers decreases.	The level of the left speakers decreases.
<p>Adjust the Balance of the front and rear speakers</p> 	The level of the rear speakers decreases.	The level of the front speakers decreases.

* When the Audio switch or either of the Volume up/down (▲ / ▼) switches is not pressed for more than 5 seconds, the volume control function resumes.

■ Shuffle play

1. Turn the power ON.
2. Press the Shuffle switch. shuffle play starts.
During shuffle play, the Track No. indicator blinks.
3. To stop shuffle play, press the Shuffle switch again.

NOTE

To locate a next selection during shuffle play

Press the ►► switch.

However, you cannot return to the previous selection even if ◀◀ switch is pressed.

When shuffle play ends on one disc

Shuffle play continues on the next disc.

■ Program play

Up to ten tracks of any disc in the magazine can be stored in memory to be played in a desired order.

1. Place the changer in play or pause mode, and then recall the required disc and required track.
2. Press the Memory switch. The "MEM" indicator lights up in the display window, and the indicators for the Preset program No. in which no program has been stored will blink in numerical order.
3. While the indicator is blinking, to memorize the required track into the blinking switch No., press the Memory switch again.
To memorize the required track into a switch No. which is not blinking, press the required number switch.
4. Press the Program switch. Program play starts in the numerical order of the Preset program switch numbers. The display window shows the Program No. of the track being played.
5. To stop Program play, press the Program switch again.

NOTE

"—" indicator:

When "—" is displayed after pressing the Memory switch, all of the memory for the Preset program switches is filled.

Program is erased in the following cases

- The previous memory will be erased when a new selection is preset on the same Preset program switch.
- If the Reset button is pressed, program is erased.

When the disc magazine is replaced:

If a disc magazine is replaced with another magazine, and the discs or tracks have been programmed beforehand, the programmed tracks will be played. However, if nothing has been programmed, play changes to the next program and the stored contents will be cleared.

To locate a selection during memory Program play

To locate a next selection	Press $\triangleright\triangleleft$.
To locate a selection being played	Press $\triangleleft\triangleleft$. The previous selection cannot be located by pressing this switch.
To locate other preset selections	Press the Preset program switch on which the desired selection is preset. Press Program switch within 5 seconds.

<Only when the KTC-T100 is connected>

Local/Mono switch	Mode	
	While receiving FM stations	While receiving AM stations
Press once.	Local mode The LCL indicator appears.	Local mode The LCL indicator appears.
Press twice.	Mono mode The MONO indicator appears.	(Local mode is released)
Press three times.	(Mono mode is released)	

■ Seek tuning

1. Press the Band switch. (Turn the tuner power ON.)
2. Select the required band.
3. When the Seek tuning switch is pressed, the unit starts scanning. When a broadcast is received, scanning stops.

■ Manual tuning

1. Press the Band switch. (Turn the tuner power ON.)
2. Select the required band.
3. Using the Manual tuning switch, tune in to the required station frequency. Tap the switch once to vary the frequency one step, hold the switch to vary the frequency continuously.

■ Station memory

1. Press the Band switch. (Turn the tuner power ON.)
2. Receive the desired station.
3. Press the Memory switch. The "**MEM**" indicator lights up in the display window, and the indicators for the Preset station switch No. in which no program has been stored will blink in numerical order.
4. While the indicator is blinking, to memorize the required frequency into the blinking switch No., press the Memory switch again.
To memorize the required frequency into a switch No. which is not blinking, press the required number switch.
5. After this, press the required Preset station switch to recall the frequency.

■ Traffic information system

1. Turn the power ON.
2. Set the SDK switch to ON. The color of SDK characters turns from amber to green, and the traffic information station is tuned in and the indicator in the SDK switch lights up in red.
3. Tune in a desired station. (Even after this tuning operation, the traffic information station can be received as long as the SDK switch is ON.)
4. When traffic information starts, the traffic information is heard with the pre-set volume.


To listen to traffic information during CD play

1. Turn the power ON.
2. After starting CD playback, set the SDK switch to ON.
3. When traffic information starts, the unit enters FM reception mode and the traffic information can be heard.
4. When traffic information is over, the unit automatically returns to the CD playback mode.

To pre-set the listening volume for traffic information

1. Adjust the volume during traffic information.
2. Press the Memory switch for more than 2 seconds (Until the volume indicator stops flashing).
3. Afterward, the volume level changes automatically to the pre-set volume during traffic information.

Notes on 8 cm Single CD

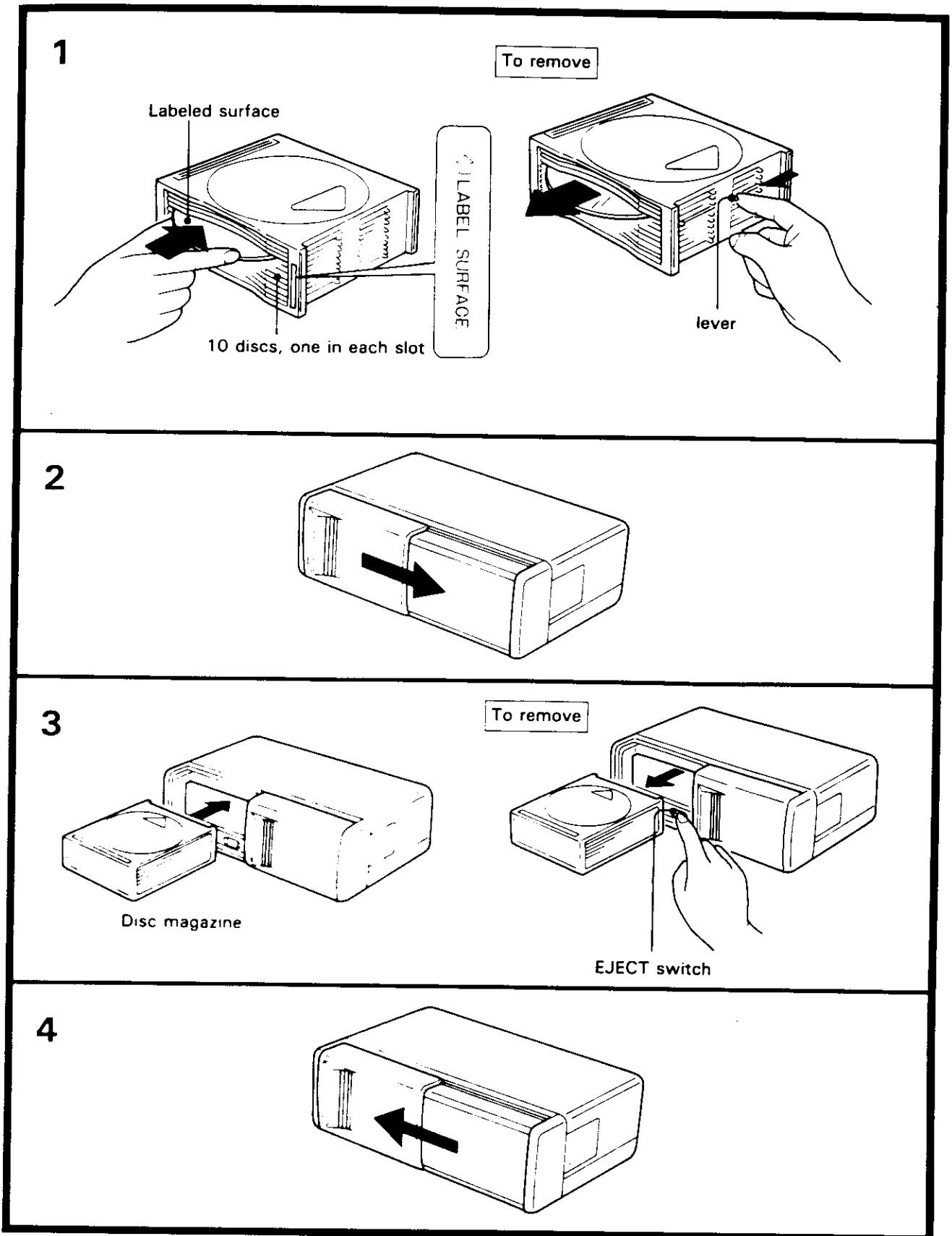
- When an 8 cm single CD is to be played, be sure to use an adapter conforming to the CD recommended specifications, or an adapter marked . Do not use an adapter which is not specified for use with car-mount CD players.

If an inappropriate adapter is used, CD playback will not be possible and, in addition, the CD may be damaged or stuck inside the player.

- When using an 8 cm single CD, carefully read the instructions provided with the adapter and place the adapter and CD correctly.

Never attempt to place an 8 cm CD alone, or an adapter alone, in this CD player.

How to set a Compact disc



Use the unit with the door closed

Otherwise, foreign matter may enter the unit, and contaminate the lens in the player.

Care and maintenance

- The power source of this unit is exclusively DC 12 V, negative ground.
- Do not place the compact disc player in a place where the compact disc player may be exposed to direct sunlight, heat or moisture. Be careful that metal objects and water do not enter the set.
- If you have difficulty in installing the set in your car, please contact your KENWOOD dealer.

• If your set malfunctions

If your set malfunctions or operates abnormally, first press the Reset button. If the malfunction persists, please call your KENWOOD dealer.

ENGLISH



Connection/Installation

■ Install the KDC-C100 in a following manner and wiring them

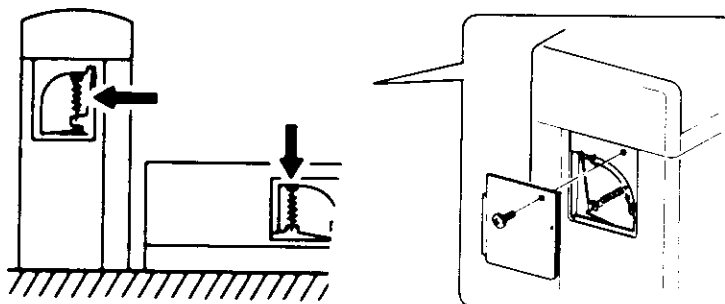
- 1 Before installation and wiring, remove the (-) terminal of the battery to prevent short-circuiting.
- 2 Connect the input and output cords of the system.
- 3 Connect the ground to the metal chassis of the car.
- 4 Connect the back-up power supply lead (yellow).
- 5 Connect the accessory power lead (red).
- 6 Install the set and after confirming the installation and wirings are correct, connect the (-) terminal of the battery.
- 7 After all installation and wiring are completed, be sure to press the Reset button.

Notes:

When the fuse is blown, replace with a new one having the designated current capacity after confirming that no cable is short-circuited.

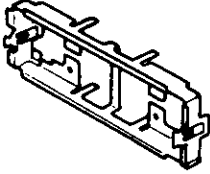
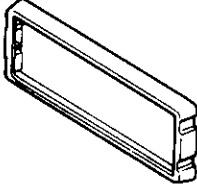
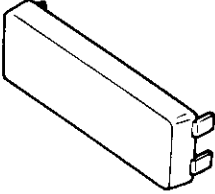


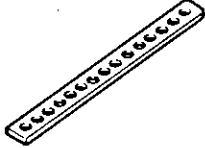



- According to the mounting condition of the changer, hang the springs inside the covers on both sides as shown in the figure below. (For shipping, the springs were hung for the horizontal mounting condition.)

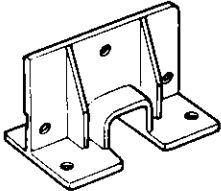
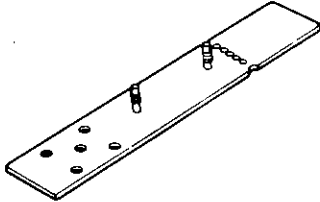
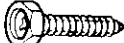





Mount and connection parts provided

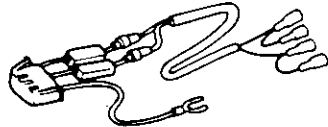

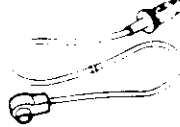
■ Controller/Hide-away unit mounting parts

No.	Part name	External view	Number of units
①	Controller mounting metal fitting		1
②	Controller panel frame		1
③	Controller protection (sealing) panel		1
④	Double-sided adhesive tape		2
5	Magic tape		2
6	Metal mounting strap		1
7	Screw (M4 × 6)		4

■ Changer mounting parts

No.	Part name	External view	Number of units
⑰	Changer mounting fitting		2
⑱	Changer mounting plate		2
⑲	Tapping screw (M5 × 20)		4
⑳	Screw (M5 × 12)		4
㉑	Nut (M5)		4
㉒	Washer (W5)		4

■ Connection cords

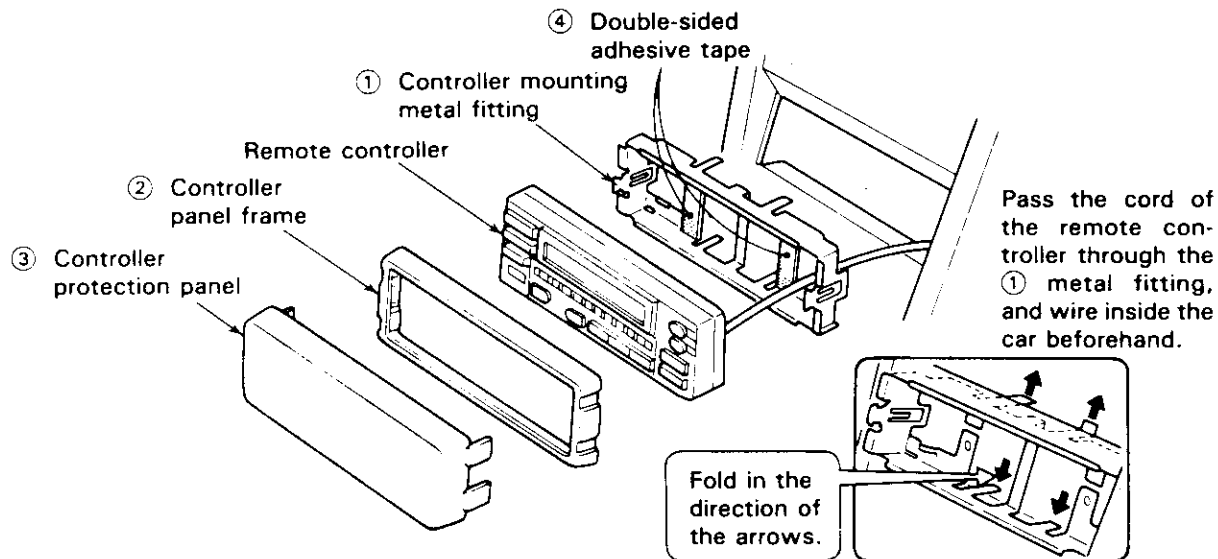
No.	Part name	External view	Number of units
㉓	Power connection cord		1
㉔	Controller extension cord		1
㉕	Changer extension cord		1

Installation

Cautions on installation

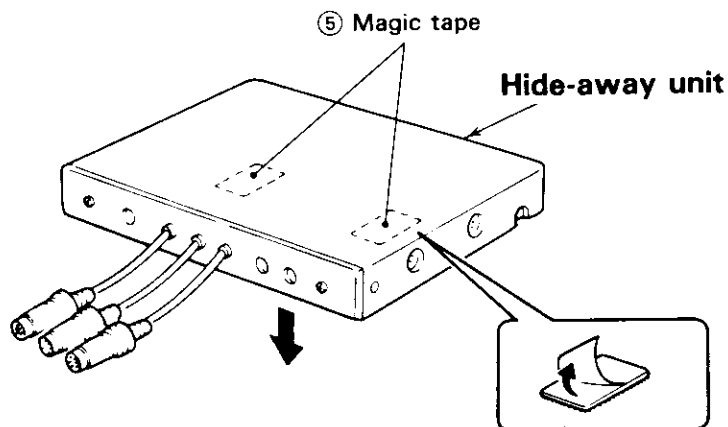
- Be sure to use the provided parts.
- Install the unit so as not to interfere with driving.

■ How to install the remote controller

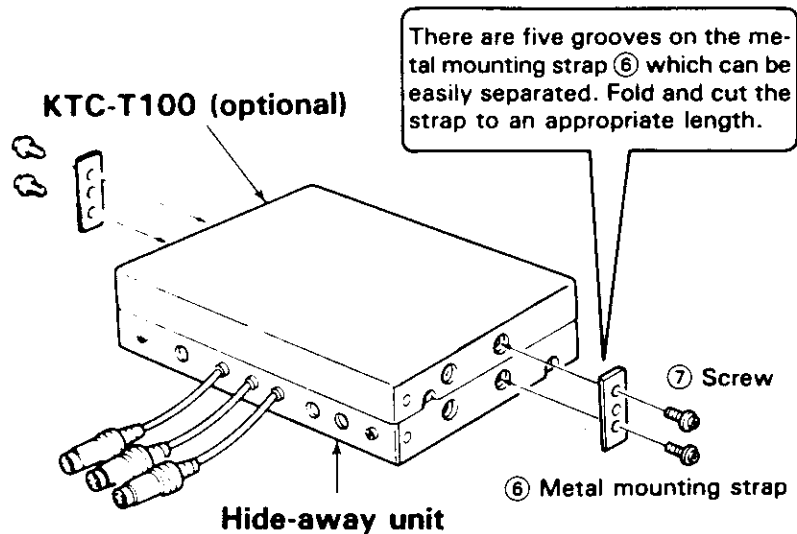


■ How to install the hide-away unit

- As shown in the figure on the right, install the unit on the floor carpet under the front seat using the magic tape ⑤ provided



- When the optional KTC-T100 is connected to this unit, mount it as shown in the figure on the right, using the metal mounting strap ⑥ provided

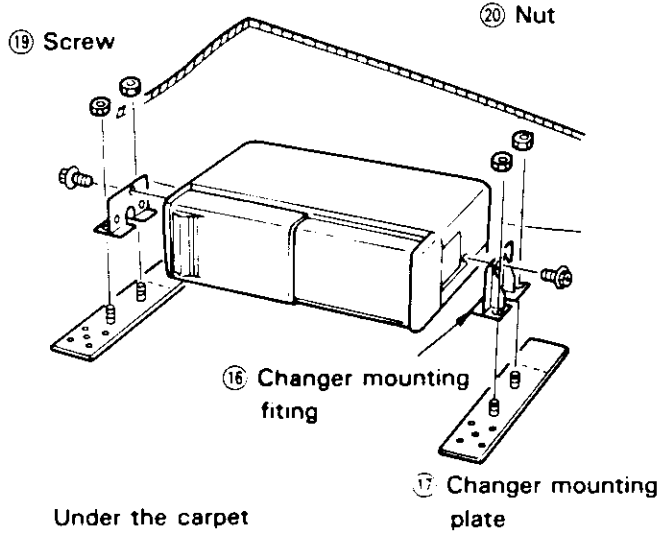


How to install the changer

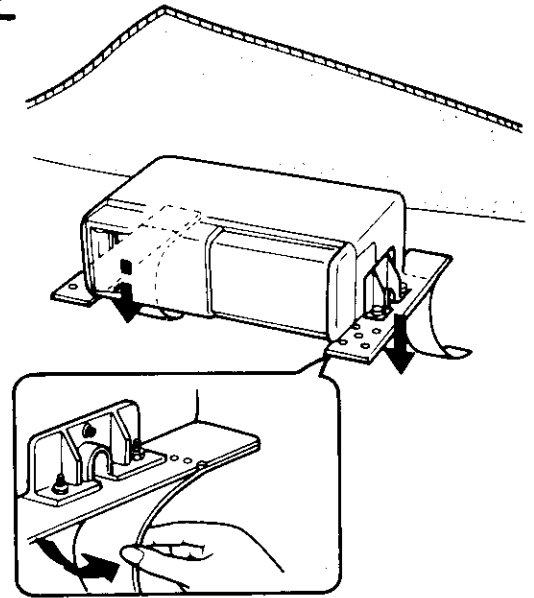
Mounting diagram 1

Horizontal

- 1 Place the holes of the changer mounting fitting (16) upon the protrusions on the bottom of the main unit.

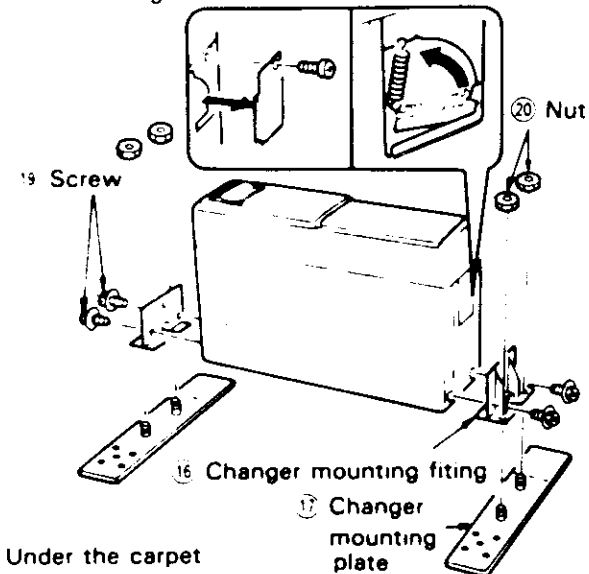


2

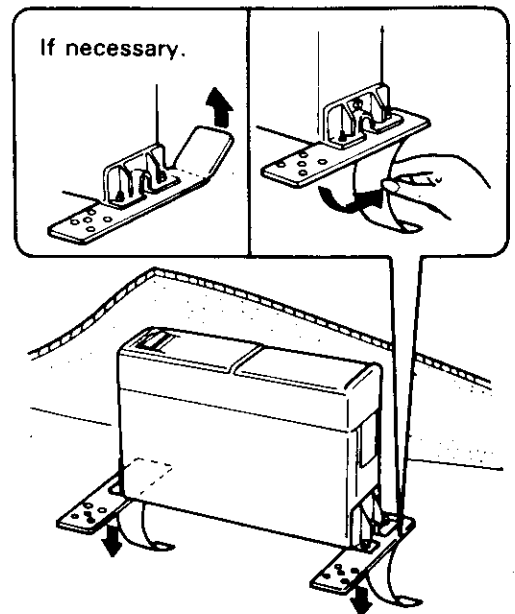


Vertical

- 1 Remove the springs on both sides of the main unit, and hang them again (as shown in the figure).

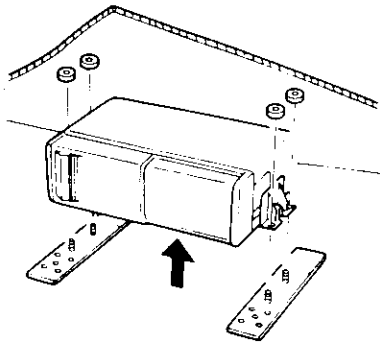


2

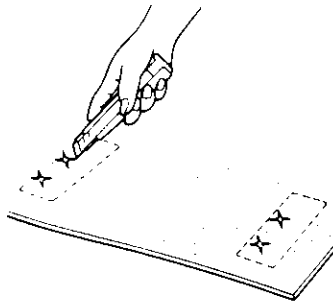


* If the installation is not secure, sound skipping may occur. For secure installation, proceed the Mounting diagram 2.

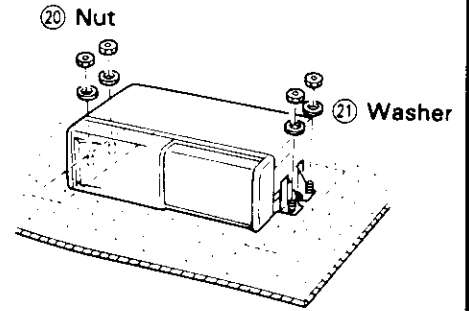
3 Detach the unit only.



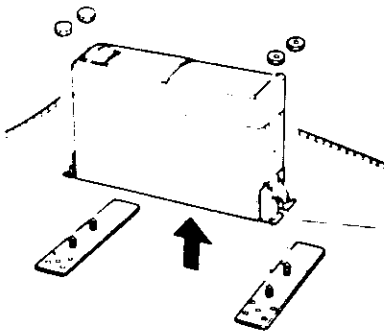
4



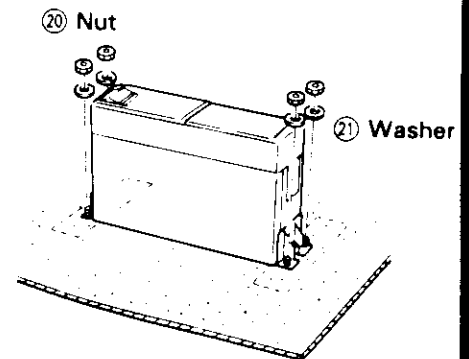
5



3 Detach the unit only.



5

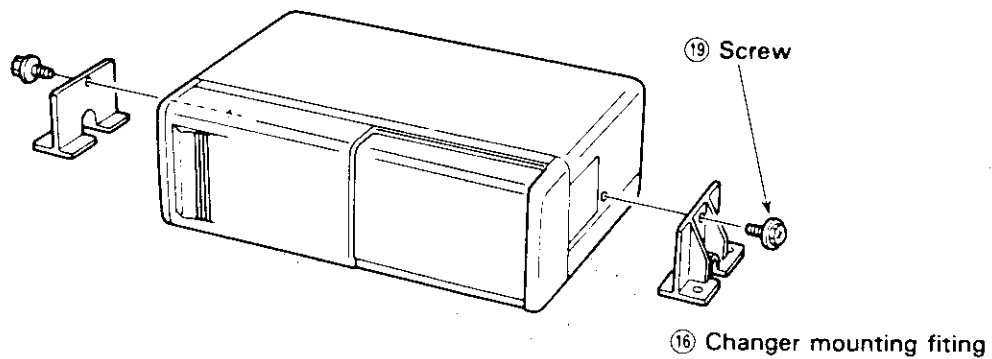


How to install the changer

Mounting diagram 2

Horizontal

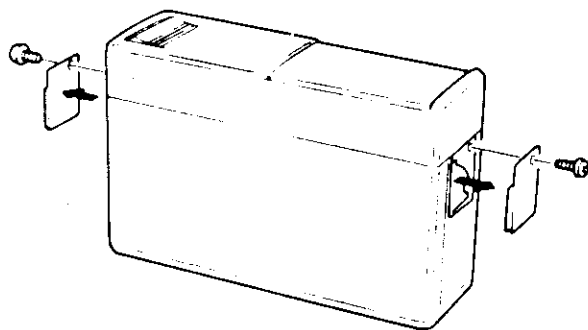
- 1 Place the holes of the changer mounting fitting (16) upon the protrusions on the bottom of the main unit.



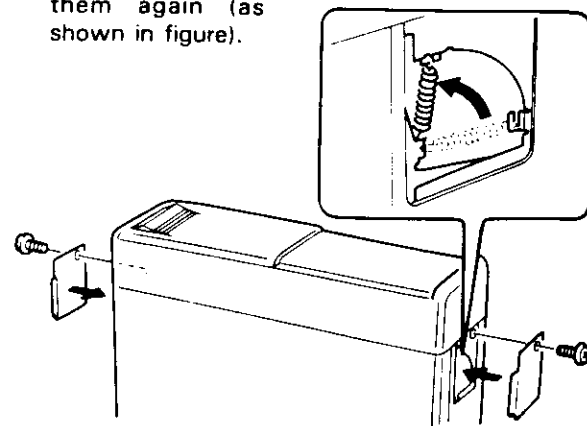
ENGLISH

Vertical

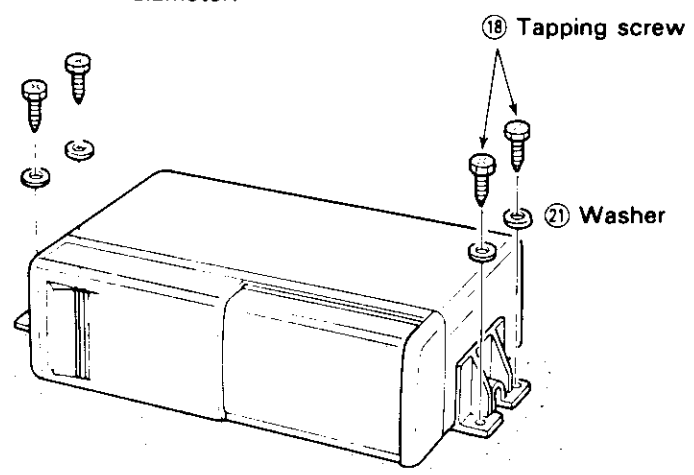
1



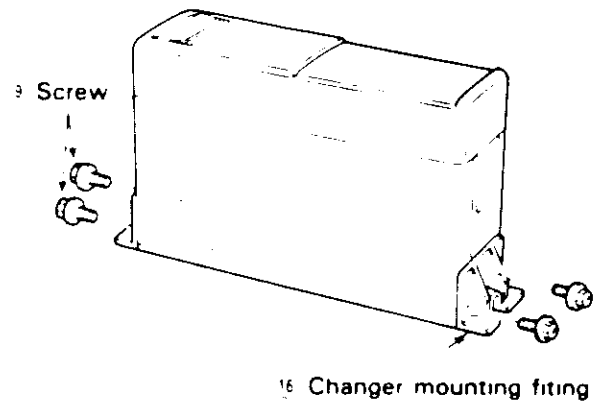
- 2 Remove the springs on both sides of the main unit, and hang them again (as shown in figure).



2 Drill bolt holes approx. 4 mm in diameter.

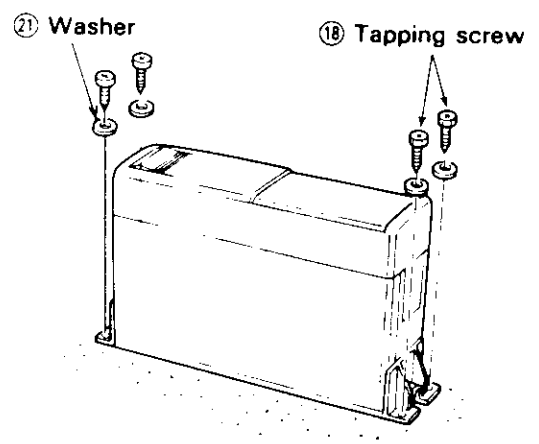


3



4

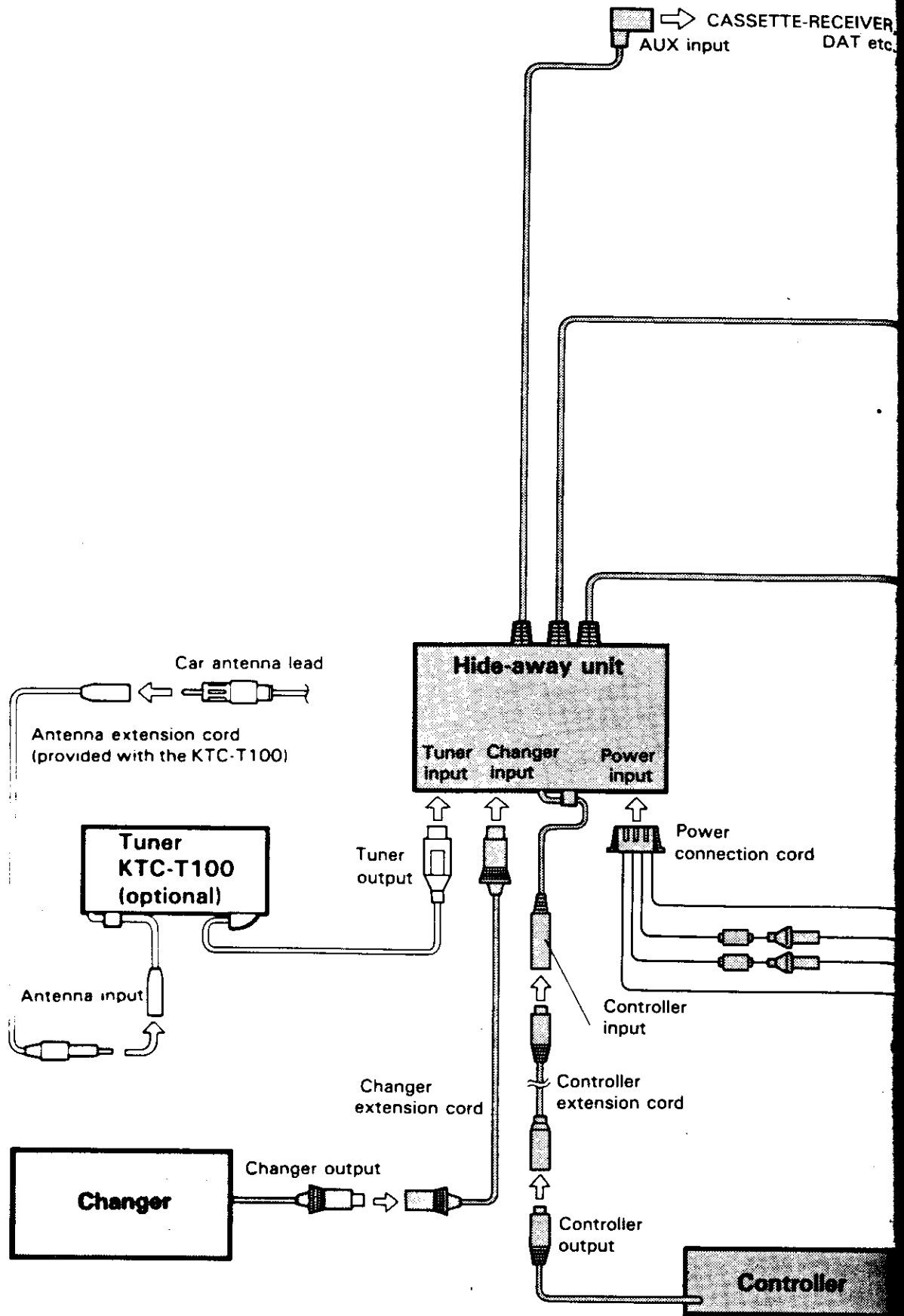
Drill bolt holes approx. 4 mm in diameter.

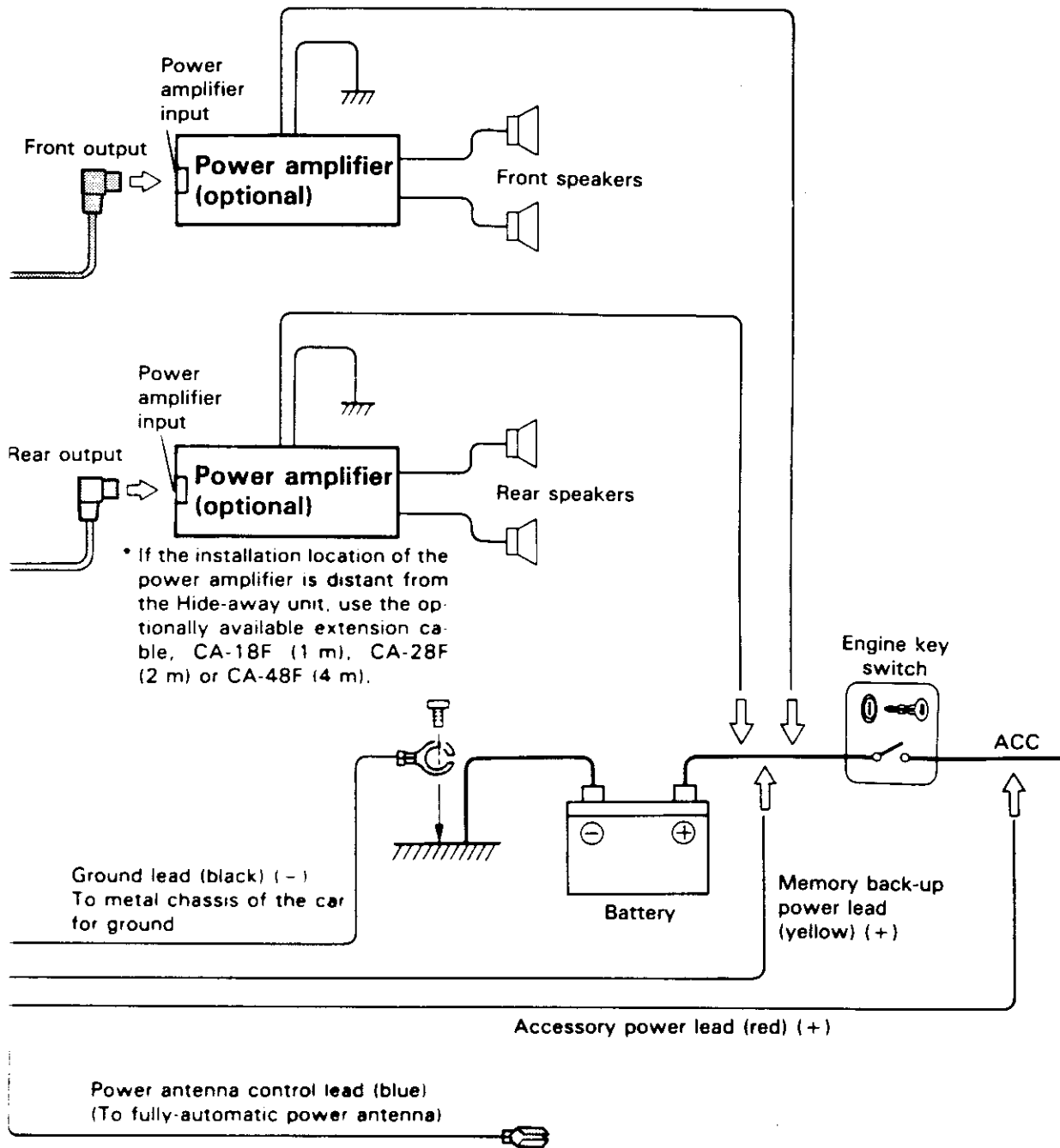


CAUTION
When making the hole, make sure not to damage the fuel tank, brake tube, wiring harnesses, etc. on the other side.

Connection

ENGLISH





Troubleshooting

What often appears to be a malfunction is often due to user error in operation or connection. When trouble occurs with your unit, please check the following before calling for service.

ENGLISH

Symptom	Cause	Remedy
Power is not turned ON.	<ol style="list-style-type: none"> 1. Output cable from the controller is not connected. 2. Power cord is not connected to the hide-away unit. 3. The engine key switch of the car is not set to ACC ON. 4. The incorporated microcomputer is not operating correctly due to some effect. 5. Fuse is blown. 	<ol style="list-style-type: none"> 1. Connect the controller cable correctly. 2. Connect the power cord to the hide-away unit as instructed in the manual. 3. Set the engine key switch to ACC ON. 4. Press the reset switch of the controller unit. 5. Check that the cords are not short-circuited, and then replace the fuse with a specified one.
Operation buttons do not function.	Correct operation is not obtained due to a sudden change in the power voltage, etc.	Press the reset switch of the controller unit.
CD play does not start.	<ol style="list-style-type: none"> 1. Player is set to the play-pause mode. 2. Player is set to the stand-by mode. 3. Power switch is not turned ON. 	<ol style="list-style-type: none"> 1. Press the CD (▶■) switch. 2. Press the CD (▶■) switch to release the stand-by mode. 3. Turn the power switch ON, then press the CD (▶■) switch.
The specified disc is not played and the next disc is played	<ol style="list-style-type: none"> 1. The specified disc is too dirty. 2. The disc is placed upside down. 3. Two discs are set in the same position 4. The specified disc is placed in a position with a different number 	<ol style="list-style-type: none"> 1. Clean the disc. (Refer to page 3.) 2. Eject the magazine and re-insert the disc correctly. 3. Eject the magazine and set each disc correctly. 4. Eject the magazine to check the disc number and the position number, then specify again.
Sound skips due to vibration	<ol style="list-style-type: none"> 1. Changer unit is mounted on a slant of more than 15 degrees from horizontal. 2. Changer unit is mounted in an unstable place. 3. Luggage is in contact with the changer unit 4. Changer unit is vertically mounted, with the springs set in the horizontal mounting positions. 5. Changer unit is installed incorrectly 6. Heavy scratches, dirt, or water drops are on the surface of the compact disc. 	<ol style="list-style-type: none"> 1. Install the unit as level as possible. 2. Mount the unit in a stable place. 3. Set the luggage apart from the changer unit. 4. Remove the springs and hang them again in the vertical mount positions. 5. Install the unit correctly and firmly. 6. If the same section skips when the car is stopped, clean the disc referring to page 3.

Symptom	Cause	Remedy
Sound quality is bad, or noise is heard during play.	<ol style="list-style-type: none"> 1. Heavy scratches, dirt, or water drops are on the surface of the compact disc. 2. Original recording is old, or the quality of the compact disc is not very good. 	<ol style="list-style-type: none"> 1. Clean the disc referring to page 3. 2. If there is no problem with other discs, the sound quality depends on the disc itself.
No sound is output with the CD PLAY (▶) indication.	<ol style="list-style-type: none"> 1. Volume is set to the minimum level. 2. The incorporated microcomputer is not operating correctly. 3. System connections are made imperfectly (power cord, connection of pre-out jacks, or speaker connections, etc.). 4. Fader is set all the way to the front or rear. 	<ol style="list-style-type: none"> 1. Increase the volume level. 2. Press the reset switch of the controller unit. 3. Check the connections according to the instruction manual. If anything is wrong, reconnect it correctly. 4. Set the fader to the center position between the front and rear channels.
Even when the CD or TUNER switch is pressed, the display goes out immediately and no sound is heard	The power of the equipment connected to the AUX input jacks is turned ON, or the cassette/tuner unit is turned ON.	Turn OFF the power to the equipment connected to the AUX input jacks, or eject the cassette from the cassette/tuner unit. After this, press the BAND switch.
During program play, a track or disc which has been programmed is not played	The disc is not set in the place corresponding to the stored program.	Perform programming again correctly.
Even when the required track is specified, the specified track is not played or the player does not function	The player is set to shuffle play or program play	Release shuffle play or program play.

When the KTC-T100 synthesizer tuner unit is connected:

Symptom	Cause	Remedy
Tuner display does not appear when the BAND switch is pressed	The tuner unit is not connected to the hide-away unit	Connect the tuner unit to the hide-away unit.
Tuning operation does not stop at the required frequency during seek tuning	<ol style="list-style-type: none"> 1. Signal strength is weak. 2. Antenna is not connected. 3. Local mode is engaged. 	<ol style="list-style-type: none"> 1. Set to manual tuning mode for the tuning operation. 2. Attach the antenna. 3. Press the Local/Mono switch twice to release local mode.
Tuning is impossible	Antenna is disconnected.	Attach the antenna to the KTC-T100 firmly.

Symptom	Cause	Remedy
ST (stereo) indicator blinks.	<ol style="list-style-type: none"> 1. Received frequency is not tuned correctly. 2. Signal strength is weak. 	<ol style="list-style-type: none"> 1. Tune to the desired frequency precisely. 2. If noise is significant: (Press the Local/Mono switch twice to set the tuner to monaural mode.)
Stereo mode is not engaged.	<ol style="list-style-type: none"> 1. Tuner is set to monaural receiving mode. 2. Local mode is engaged. 	<ol style="list-style-type: none"> 1. Press the Local/Mono switch once to set to stereo mode. 2. Press the Local/Mono switch twice to raise the sensitivity.
During AM seek tuning, tuning stops at a frequency where there is no broadcasting station	It is recommended that Local mode be activated to tune to a strong signal station when noise is significant, such as at night.	
Tuning preset switch does not function.	The incorrect frequency is stored in memory. (The frequencies stored in the preset memory will be cleared when the reset switch is pressed ON)	Store the required frequencies in the preset memory again.

Other than the previous, the remote control unit displays various error indications to show the following messages. (Each indication blinks for 2 seconds.)

E-01: No disc magazine in the changer, or the magazine is not set completely.

E-02: No discs in the disc magazine.

E-03: The specified track is not present on the disc.

(Example: This appears when the 15th track is specified for a disc on which only 10 tracks are contained)

E-04: Disc is too dirty.

Condensation has occurred on the disc, or water drops are on the disc.
Disc is set upside down.

E-05: PGM button is pressed with no program.

E-99: Operation incorrect due to something being defective.

Press the reset switch on the controller unit.

If the "E-99" indication does not disappear with this operation, consult your nearest KENWOOD Service Agent.

WAIT:

- When the temperature exceeds 60°C, the protection circuit is engaged to stop any operation. At this time, this indication will appear.
- Open a window or turn the air-conditioner ON to lower the temperature. After a while, this indication will go out.
- This indication also appears for several seconds when making connections, or when the reset button is pressed.
- If the "WAIT" indication does not disappear, the main changer unit may be disconnected

LOAD: This indication appears while a disc is being changed inside the changer.

- When no indicator appears in the controller and only illumination appears, the cable connector may nearly be disconnected.

Specifications

These specifications and design are subject to change without notice for the purpose of technical improvements.

Disc Section

Laser Diode	GaAlAs ($\lambda = 780 \text{ nm}$)
D-A Conversion	16 bit (Linear)
Sampling Frequency	44.1 kHz
Conversion Rate	88.2 kHz
Spindle Speed	500 ~ 200 rpm (CLV)
Wow & Flutter	Below Mesurable Limit
Frequency Response ($\pm 1 \text{ dB}$)	5 Hz ~ 20 kHz
Total Harmonic Distortion (1 kHz)	0.005%
Signal to Noise Ratio	85 dB
Dynamic Range	85 dB
Channel Separation	85 dB
Laser Diode Properties	
Material	GaAlAs
Wavelength	780 nm
Emission Duration	Continuous
Laser Output Power	Less than 44.6 μW

- This output is the value measured at a distance of 200 mm from the objective lens surface on the Optical Pick-up Block.

Audio Section

Tone Action (BASS)	100 Hz $\pm 10 \text{ dB}$
(TREBLE)	10 kHz $\pm 10 \text{ dB}$
Preout Level	1.5 V

General

Operating Voltage	14.4 V (11 ~ 16 V)
Current Consumption	0.8 A
Operating Temperature	-10 ~ 50 °C
Size (W x H x D)	
Controller	172 x 48 x 23 mm (6-3/4 x 1-7/8 x 7/8 in.)
Changer main unit	310 x 98 x 200 mm (11-7/8 x 3-7/8 x 7-7/8 in.)
Hide-away unit	178 x 25 x 135 mm (7 x 1 x 5-5/16 in.)
Weight	
Controller	0.3 kg (0.7 lb)
Changer main unit	3.0 kg (6.6 lb)
Hide away unit	0.7 kg (1.5 lb)